



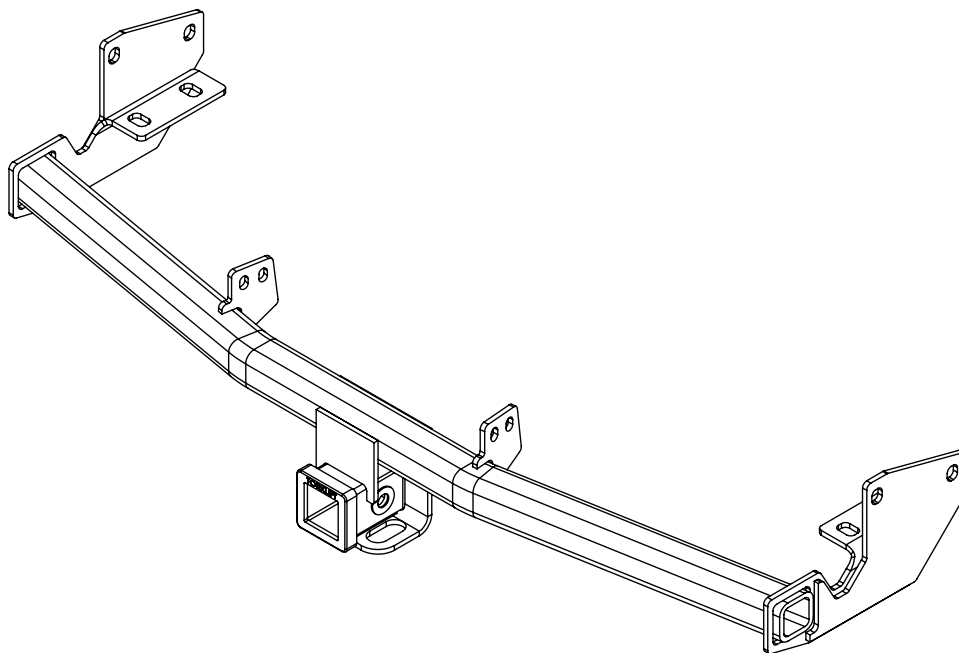
# Installation Instructions

Application Fits

2008-2013 Toyota Highlander Including Hybrid  
X7137

2" EcoHitch Stealth

500 lbs. Tongue Weight/ 5,000 lbs Towing Weight



Torklift Central  
315 Central Ave N  
Kent, WA 98032  
253-854-1832  
[www.torkliftcentral.com](http://www.torkliftcentral.com)  
[support@tlcentral.com](mailto:support@tlcentral.com)

## Stay Connected



*Bolt Kit Weight: 530g +/-*

*Hardware Included*

QTY	Fastener
8	M10 Lock Washers
8	M10-1.25x40mm Hex Cap Screw
12	3/8" USS Flat Washer
4	3/8"-16 Flange Nut
4	3/8"-16 x 1"Hex Cap Screw
8	7/16" USS Flat Washer
2	Zip Tie Long
1	Crosstube Bracket Drivers Side
1	Crosstube Bracket Passengers Side

**READ THESE INSTRUCTIONS THOROUGHLY AND ACCOUNT FOR ALL HARDWARE LISTED BEFORE BEGINNING INSTALLATION!**

**Step 1.** Raise vehicle on suitable jack stands or hoist.

**Step 2.** Lower spare tire. It is easiest to install the hitch with the tire removed. For spare tire removal, see owners manual for instructions.

**Step 3.** Remove screws and plastic clips from drivers side panel.  
See Figure [1] & [2]

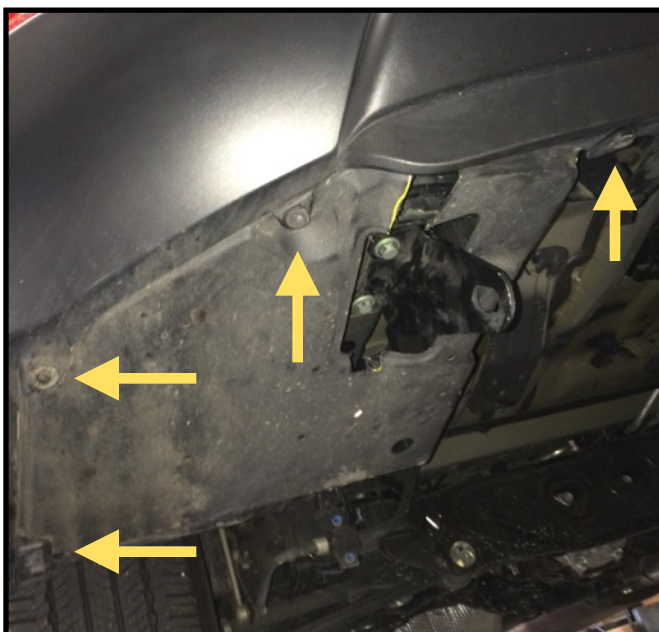


Fig. [1]



Fig. [2]

**Step 4.** Remove screws and plastic clips from passengers side panel.  
See Figure [3]

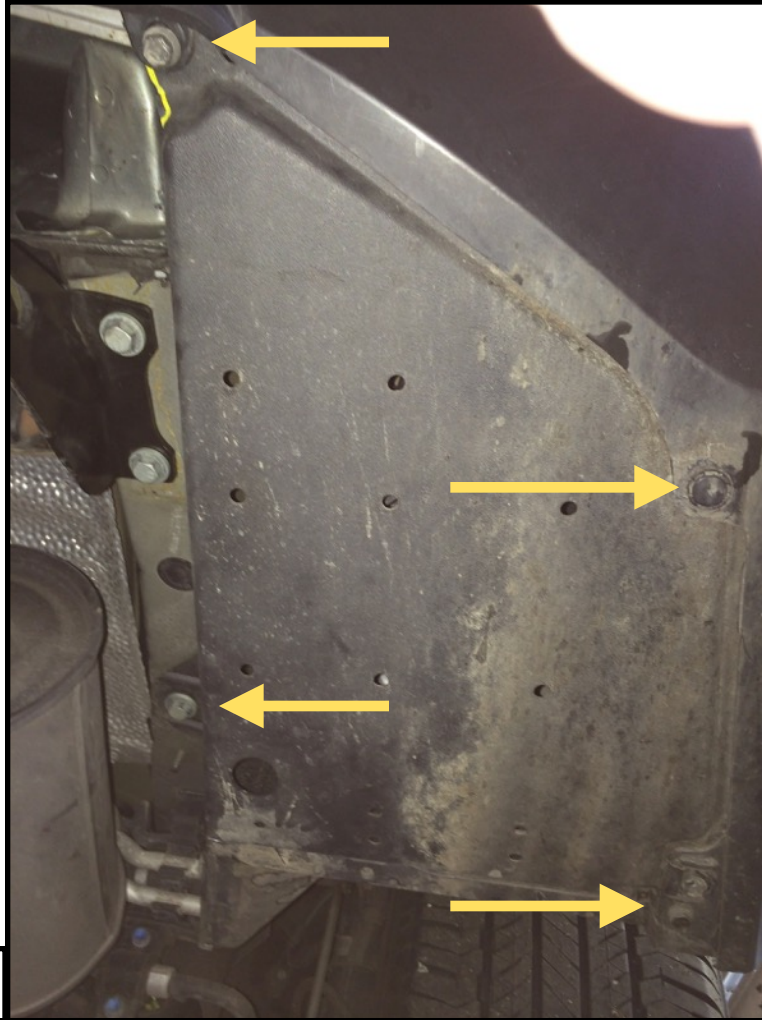


Fig. [3]

**Step 5.** Remove plastic clips from bumper fascia panel as shown in  
Figure [4] & [5]



Fig. [4]



Fig. [5]

**Step 6.** Remove the driver and passenger side tow hooks. Discard or return to customer.



Driver Side



Passenger Side

**Step 7.** Lower factory exhaust hanger on passenger side of vehicle by removing bolts from frame rail. **DO NOT DISCARD BOLTS.** Support the exhaust with a stand to prevent non-warranted damage to exhaust system. See Figure [6].



Fig. [6]

**Step 8.** If present, remove and discard (8) frame rail plugs located on the underside and side of the frame rails on both the drive and passenger side frame rails.

**Step 9.** Gently pull down the tabs indicated in Figure [7] to allow the hitch to fit onto the frame. These tabs will flex and will go back into place after the hitch is installed.



Fig. [7]

**Step 10.** Once hitch is in position, take (1) m10 x 1.25 x 40 bolt, (1) 10mm lock washer, (1) 3/8 flat washer, and (1) 7/16 flat washer and thread into the frame rails. Repeat on all 8 holes in frame rails. Torque bolts to 60 ft-lbs. See figure [8] & [9]



Fig. [8]



Fig. [9]

**Step 11.** Take the cross tube bracket for the passengers side and place it onto the hitch cross tube. Ensure that the bracket fits over and under the aluminum bumper crash bar. Once in place, take (1) 3/8"x1" bolt and (1) 3/8" flat washer and place it through the tab on the hitch passing through the bracket. Take one 3/8" serrated hex nut and tighten to 26 ft-lbs. Repeat on remaining bolt and driver side bracket.

**Note:** THERE IS A PASSENGER AND DRIVER SIDE CROSS TUBE BRACKET. THE TABS OF THE BRACKETS WILL FACE INWARD TOWARD EACH OTHER WHEN PROPERLY INSTALLED.



Fig. [10]



Fig. [11]

**Step 12.** Re-install exhaust hanger removed in Step 7 with the factory bolts and replace the exhaust on hanger.

**Step 13.** Mark the driver side plastic panel removed in Step 3 for trimming. The areas shown in Figures [12], [13], and [14] are for a tight fit. You may trim additional or less plastic if desired. Once trimmed re-install in reverse method of removal in Step 3. Repeat process for passenger side plastic panel in Figure [15].



Fig. [12]



Fig. [13]



Fig. [14]



Fig. [15]

**Step 14.** Take the supplied zip ties and place through the bumper tab from Step 5 and the bracket from frame so secure bumper fascia. See Figures [16] & [17].



Fig. [16]



Fig. [17]

**Step 15.** Replace spare tire positioning it behind cross tube of trailer hitch. Proper orientation of tire is key to tire fitting back into position. This hitch was designed with the spare tire installed on the vehicle for fitment.

**Congratulations on the successful installation of your EcoHitch for the Toyota Highlander!**

It is designed with a lifetime warranty for a lifetime of enjoyment. If you have any questions or suggestions, feel free to contact us by email at [support@tlcentral.com](mailto:support@tlcentral.com) or by phone at (253)-854-1832





# WARRANTY/DISCLAIMER INFORMATION

Torklift Central requires proof of purchase for warranty claim registration, with pictures of any defective product before issuing a replacement. Torklift will not accept claims on any product without proof of purchase, which can be faxed, scanned, emailed or mailed to the information provided below. Torklift Central warrants its hitches, custom hitch receivers and accessories (excluding electrical wire harnesses which carry a warranty from their specified manufacturer) from date of purchase against defects in material and workmanship under normal use and service for the ownership life of the original consumer purchaser. Torklift Central will replace free of charge any part that proves defective in material or workmanship when presented to Torklift Central, transportation charges prepaid by purchaser, at the address below. **This warranty is limited to defective parts replacement only. Labor charges and/or damage incurred in installation or replacement, as well as incidental and consequential damages connected therewith are excluded.** This warranty does not include normal wear and tear or the finish and paint. Rusting, cracking or peeling of the finish is also excluded. Some states do not allow the exclusion or limitation of incidental or consequential damages, so the above limitation or exclusion may not apply to you. Any damage to Torklift Central products as a result of misuse, abuse, neglect, accident, improper installation or any use violative of instructions furnished by Torklift Central will void the warranty. This warranty gives you specific legal rights and you may also have rights, which vary from state to state. With warranty service, you may be able to go to a small claims court, a state court or a federal district court.

Although Torklift Central trailer hitches are both tested and rated for towing within the specific capacity label found on each trailer hitch. Torklift Central assumes no liability for vehicle manufacturers warranty due to the use of a Torklift Central trailer hitch being used for towing behind any vehicle or using the trailer hitch in a manner that it was not designed for. Although this specific trailer hitch has a load rating, which includes trailer tongue weight, and a trailer weight carrying capacity, Torklift Central is not responsible for the voiding of any warranty on any vehicle due to factory towing limitations. All vehicle warranties are the sole property and responsibility of the owner of the vehicle that the Torklift Central trailer hitch is installed upon. Torklift Central does not endorse towing behind any vehicle if the vehicles manufacturer states that towing is not recommended. Check your vehicle's owner's manual for the proper tow rating of your vehicle.

**ADDRESS:** 315 Central Ave N. Kent, WA 98032

**\*WARNING\*** Your vehicle may have a lower tow rating than this trailer hitch. If your vehicle's tow rating is less than the rated towing capacity on your Torklift Central trailer hitch, your trailer hitch capacity is limited to your vehicle's factory rated towing capacity.

**FOR EXAMPLE:** the label on your Torklift Central trailer hitch states it's capacity is rated for 500 pounds tongue weight and 5,000 pounds towing weight. However your vehicle's factory rated towing capacity is limited to only 350 pounds tongue weight and 3,500 pounds towing weight. In this example your maximum towing capacity of your Torklift Central trailer hitch is limited to 350 pounds tongue weight and 3,500 pounds towing weight as stated by your vehicle's maximum factory tow rating.

**\*DANGER\*** Never exceed your vehicle's manufacturer's recommended towing capacity which may be a lower rating than this trailer hitch

Unsure of your tow rating? Download our towing app from the app store to find your vehicles tow rating.  
[www.torkliftcentral.com/app.php](http://www.torkliftcentral.com/app.php)